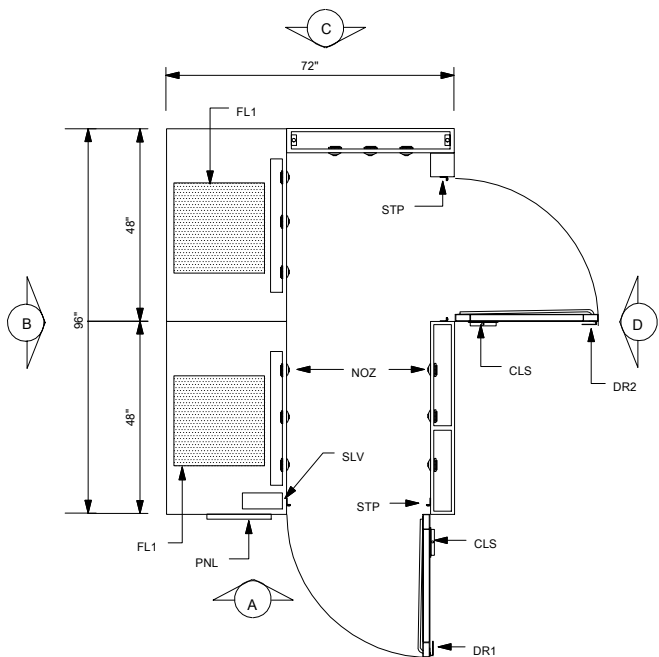
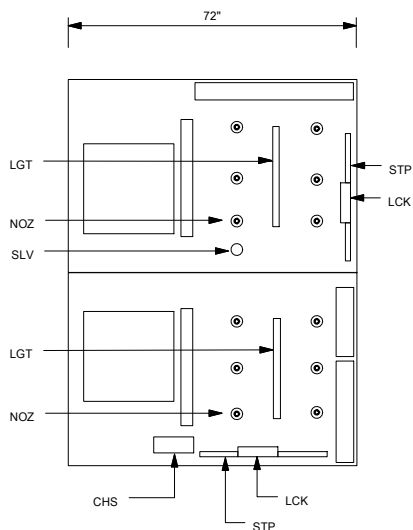


PLAN VIEW

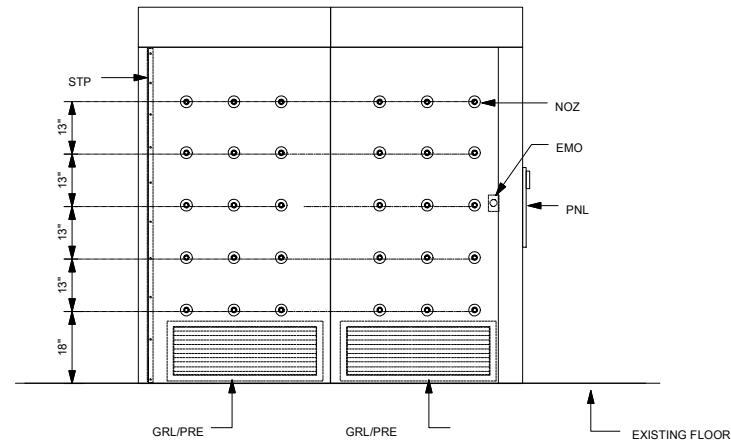


CEILING VIEW

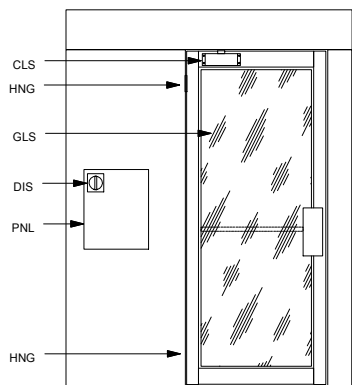


ELEVATION "D"

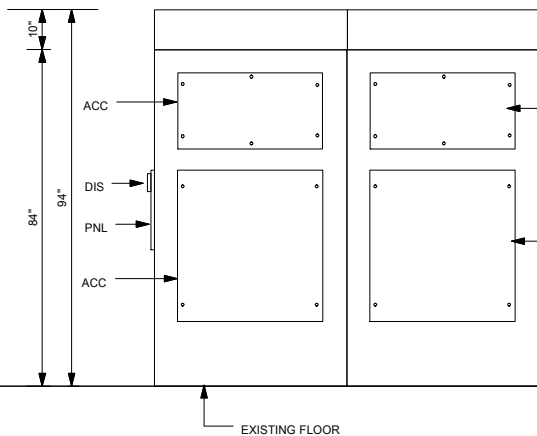
cut away view



ELEVATION "A"

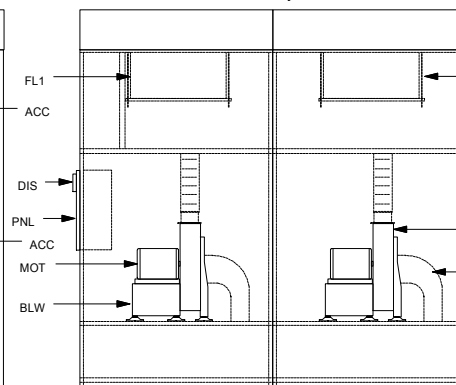


ELEVATION "B"

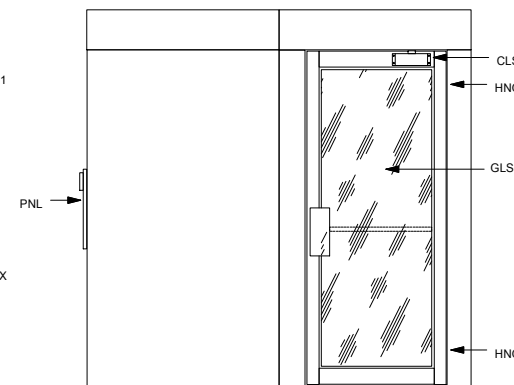


ELEVATION "B"

cut away view



ELEVATION "D"



LEGEND  
 BLW=SHIP DIRECT DRIVE PADDLE WHEEL BLOWER 1550 CFM @ 6" S.P.  
 CLS=COMMERCIAL DUTY DOOR CLOSER  
 DIS=NON-FUSED DISCONNECT SWITCH FOR CONTROL PANEL  
 EMO=EMERGENCY STOP SWITCH  
 DR1=CLEAR ANODIZED ALUMINUM FRAME DOOR ( ENTRY END)  
 DR2=CLEAR ANODIZED ALUMINUM FRAME DOOR ( EXIT END)  
 FL1=99.99% @ 3 MICRON HEPA FILTER  
 FLX=8" DIAMETER FLEX CONNECTION FOR RETURN AIR  
 GLS=0.25" THICK CLEAR TEMPERED GLASS  
 GRL=RETURN AIR GRILLE  
 HNG=4" 5" NICKEL PLATED BUTT HINGE  
 LGT=LED LIGHT FIXTURE  
 MOT=SHIP DIRECT DRIVE OPEN DRIP PROOF MOTOR 3500 RPM  
 NOZ=0.875" DIAMETER WHITE PLASTIC AIR NOZZLE ( 60 IN WALLS & 12 IN CEILING)  
 PL1=HEPA FILTER PLENUM 0.60" THICK ALUMINUM CONSTRUCTION  
 PL2=RETURN AIR PLENUM 0.60" THICK ALUMINUM CONSTRUCTION  
 PNL=NEMA 1 ENLOSURE CONTROL PANEL  
 PRE=MERV 7 PANEL FILTER  
 SLV=SLEEVED PENETRATION THROUGH ROOF FOR INSTALLTION OF SPRINKER  
 STP=PEMCO #285CPK DOOR SEALS  
 SWP=PEMCO #307AV DOOR SWEEP

Notes:

1. The control panel is recessed into the mechanical wall at the entry end of the air shower.
2. The air shower is shipped knock down into (5) walls, (2) roofs and (2) doors.
3. The air shower is supplied with a sleeved penetration through the roofsection for installation of a sprinkler head. Sprinkler is by others.
4. The air shower does not have a floor. It uses the existing floor.



PO Box 427  
 Rancho Cucamonga, CA 91729-0427  
 Voice: (800) 913-0054  
 Fax: (909) 483-1801

Drw# LT7296RA

Title: MODEL "LT" AIR SHOWER

Sheet:

Project:

Date: