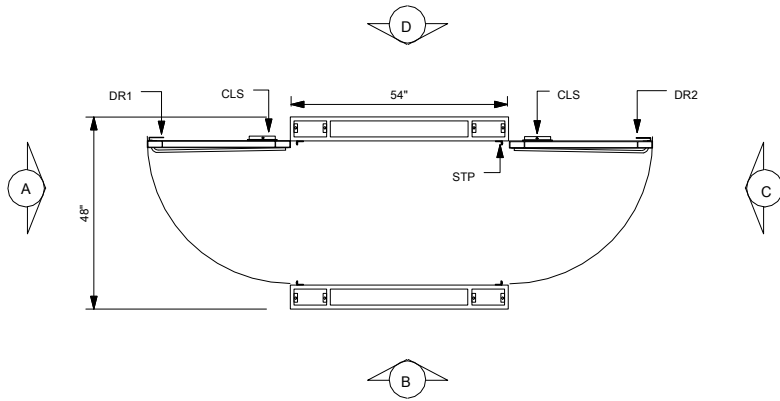
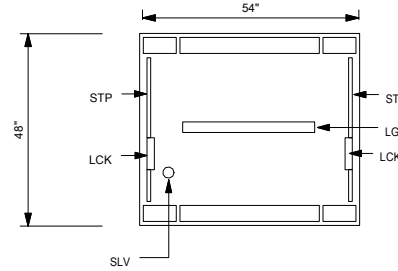


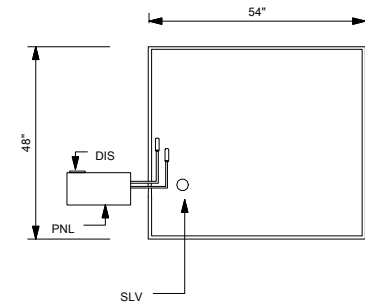
PLAN VIEW



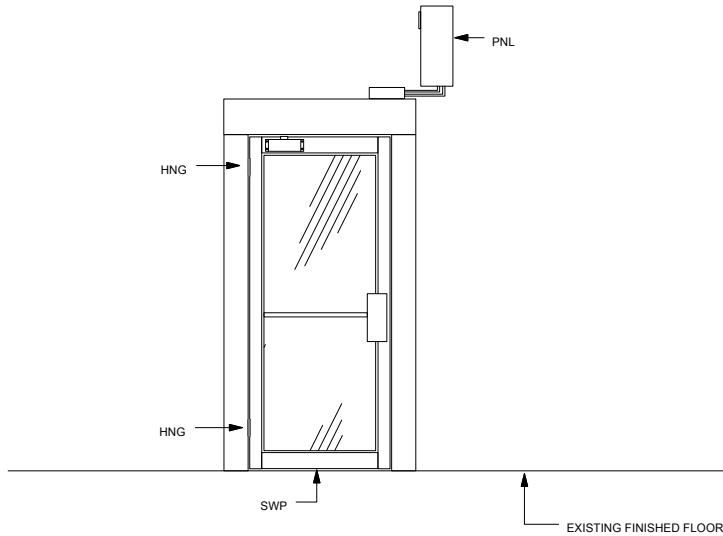
CEILING VIEW



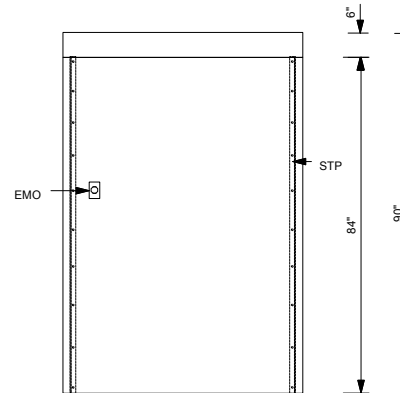
ROOF VIEW



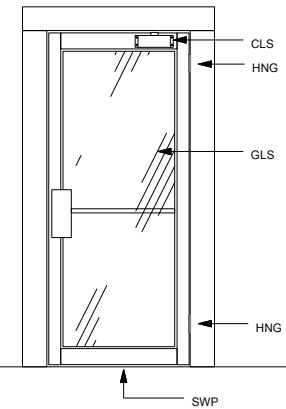
ELEVATION "A"



ELEVATION "B"



ELEVATION "C"



LEGEND

CLS=COMMERCIAL DUTY DOOR CLOSER
 DIS=NON-FUSED DISCONNECT SWITCH FOR CONTROL PANEL
 EMO=EMERGENCY STOP SWITCH
 DR1=CLEAR ANODIZED ALUMINUM FRAME DOOR (ENTRY END)
 DR2=CLEAR ANODIZED ALUMINUM FRAME DOOR (EXIT END)
 FL1=99.99% @ .3 MICRON HEPA FILTER
 FLX=8" DIAMETER FLEX CONNECTION FOR RETURN AIR
 GLS=0.25" THICK CLEAR TEMPERED GLASS
 HNG=4.5" NICKEL PLATED BUTT HINGE
 LGT=LED LIGHT FIXTURE
 PNL=NEMA 1 ENCLOSURE CONTROL PANEL
 SLV=SLEEVED PENETRATION THROUGH ROOF FOR INSTALLTION OF SPRINKER
 STP=PEMKO #285CPK DOOR SEALS
 SWP=PEMKO #307AV DOOR SWEEP

Notes:

1. The control panel is connected to the air lock with 8' of seal tight flex.
2. The air lock is shipped assembled.
3. The air lock is supplied with a sleeved penetration through the roofsection for installation of a sprinkler head. Sprinkler is by others.
4. The air lock does not have a floor. It uses the existing floor.



PO Box 427
 Rancho Cucamonga, CA 91729-0427
 Voice: (800) 913-0054
 Fax: (909) 483-1801

| | | |
|---------------|---------------------------|-------|
| Drw# AL4854ST | Title: 48" x 54" Air Lock | |
| Sheet: | Project: | Date: |