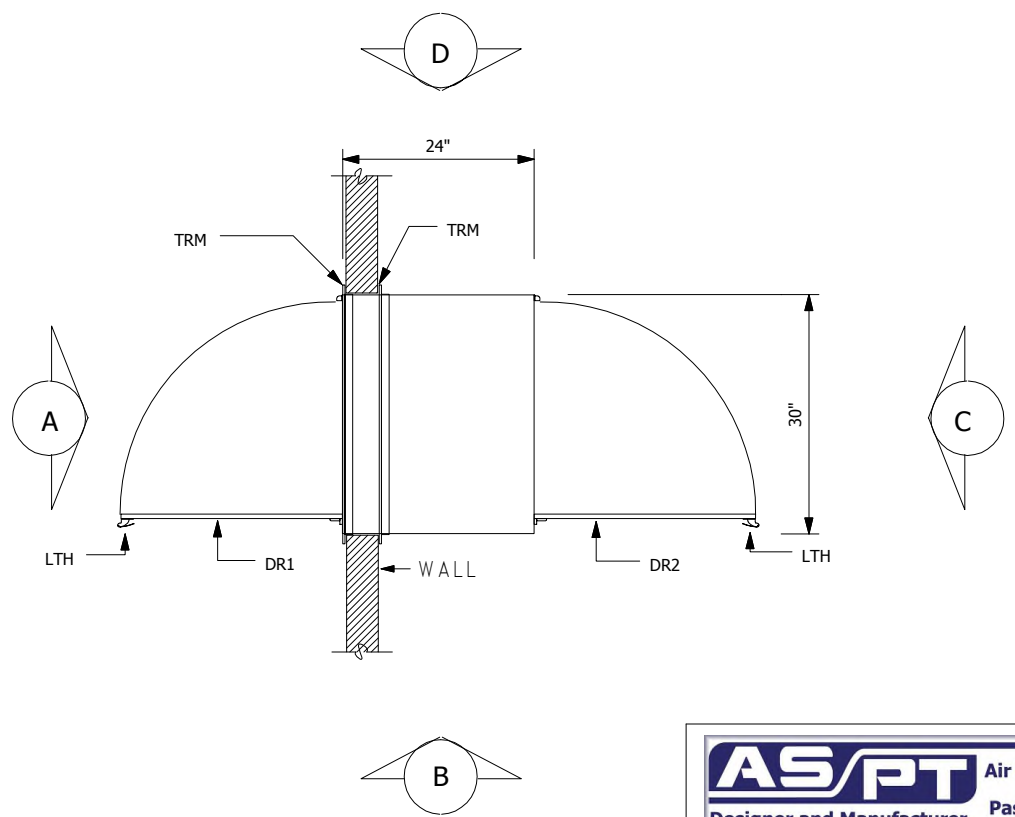


PLAN VIEW



- LEGEND
- DR1=CLEAR ACRYLIC DOOR
 - DR2=CLEAR ACRYLIC DOOR
 - GSK=PEMKO S88W GASKET SEAL
 - HNG=304 STAINLESS STEEL LIFT OFF DOOR HINGE
 - INT=POLISHED ALUMINUM INTERLOCK LEVER
 - LTH=CHROME PLATED SPRING LOADED DOOR CATCH
 - TRM=1" x 1" CLEAN ANODIZED ALUMINUM ANGLE

- NOTES:
1. PASS THRU IS CONSTRUCTED OF A WOOD CORE WITH A WHITE PLASTIC LAMINATE FINISH
 2. TRIM ANGLE IS SHIPPED LOOSE TO ALLOW FLEXIBILITY OF INSTALLATION
 3. THE PASS THRU HAS MECHANICAL INTERLOCKS
 5. WALL CUT OUT IS 5/8" LARGER THAN THE OUTSIDE DIMENSIONS OF THE PASS THRU
 6. THE I.D. DIMENSION SHOWN ON THE DRAWING REFLECTS THE NET DOOR OPENING



PO Box 427
 Rancho Cucamonga, CA 91729-0427
 Voice: (800) 913-0054
 Fax: (909) 483-1801

Drw# SPW303024	Title: WOOD/PLASTIC PASS THRU
Sheet:	Project:
	Date: