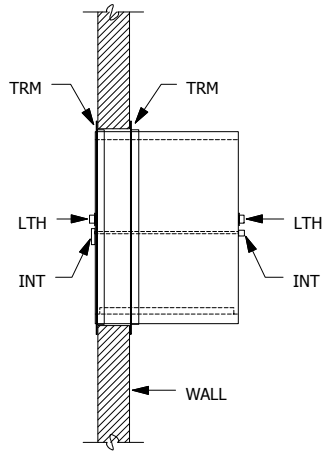
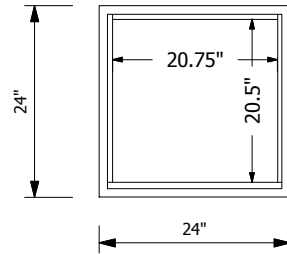


ELEVATION "B"



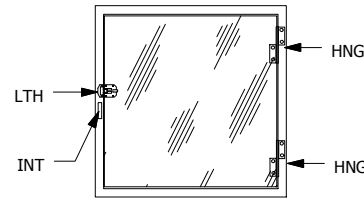
ELEVATION "A"

DOOR NOT SHOWN  
TRIM NOT SHOWN



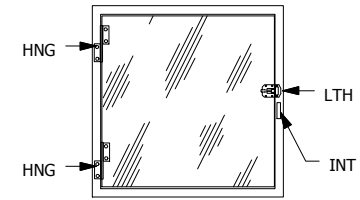
ELEVATION "A"

DOOR SHOWN  
TRIM NOT SHOWN

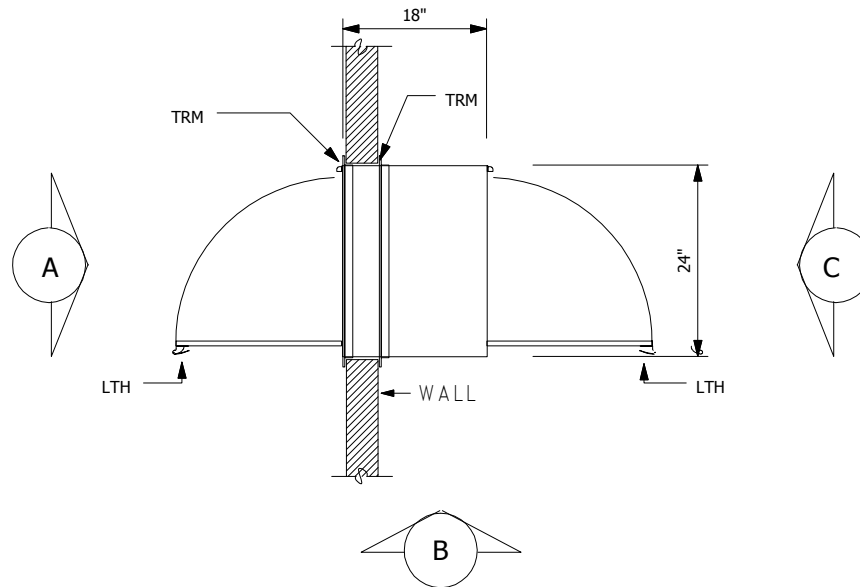
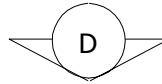


ELEVATION "C"

DOOR SHOWN  
TRIM NOT SHOWN



PLAN VIEW



LEGEND

- DR1=CLEAR ACRYLIC DOOR
- DR2=CLEAR ACRYLIC DOOR
- GSK=PEMCO S88W GASKET SEAL
- HNG=304 STAINLESS STEEL LIFT OFF DOOR HINGE
- INT=POLISHED ALUMINUM INTERLOCK LEVER
- LTH=CHROME PLATED SPRING LOADED DOOR CATCH
- TRM=1" x 1" CLEAN ANODOZED ALUMINUM ANGLE

NOTES:

1. PASS THRU IS CONSTRUCTED OF A WOOD CORE WITH A WHITE PLASTIC LAMINATE FINISH
2. TRIM ANGLE IS SHIPPED LOOSE TO ALLOW FLEXIBILITY OF INSTALLATION
3. THE PASS THRU HAS MECHANICAL INTERLOCKS
5. WALL CUT OUT IS 5/8" LARGER THAN THE OUTSIDE DIMENSIONS OF THE PASS THRU
6. THE I.D. DIMENSION SHOWN ON THE DRAWING REFLECTS THE CLEAR DOOR OPENING



PO Box 427  
Rancho Cucamonga, CA 91729-0427  
Voice: (800) 913-0054  
Fax: (909) 483-1801

Drw# SPW242418	Title: WOOD/PLASTIC PASS THRU	
Sheet:	Project:	Date: