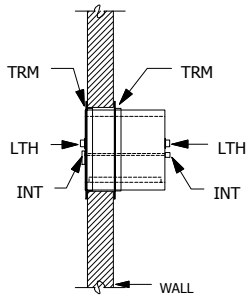
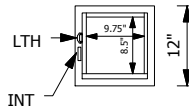


ELEVATION "B"



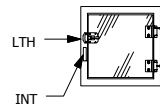
ELEVATION "A"

DOOR NOT SHOWN
TRIM NOT SHOWN



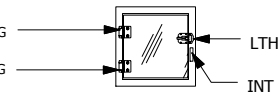
ELEVATION "A"

DOOR SHOWN
TRIM NOT SHOWN

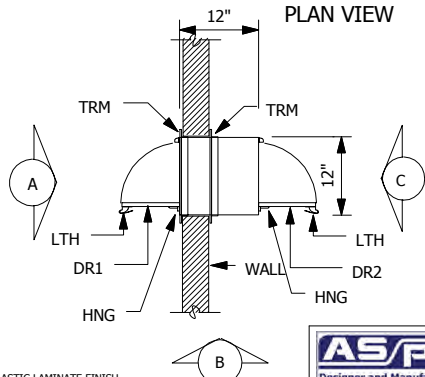


ELEVATION "C"

DOOR SHOWN
TRIM NOT SHOWN



PLAN VIEW



LEGEND

- DR1=CLEAR ACRYLIC DOOR
- DR2=CLEAR ACRYLIC DOOR
- GSK=PEWKO SBRW GASKET SEAL
- HNG=304 STAINLESS STEEL HINGE
- INT=POLISHED ALUMINUM INTERLOCK LEVER
- LTH=CHROME PLATED SPRING LOADED DOOR CATCH
- TRM=1" x 1" CLEAN ANODIZED ALUMINUM ANGLE

- NOTES:
1. PASS THRU IS CONSTRUCTED OF A WOOD CORE WITH A WHITE PLASTIC LAMINATE FINISH
 2. TRIM ANGLE IS SHIPPED LOOSE TO ALLOW FLEXIBILITY OF INSTALLATION
 3. THE PASS THRU HAS MECHANICAL INTERLOCKS
 5. WALL CUT OUT IS 5/8" LARGER THAN THE OUTSIDE DIMENSIONS OF THE PASS THRU
 6. THE I.D. DIMENSIONS SHOWN ON THE DRAWING REFLECT THE NET DOOR OPENING.



PO Box 427
Rancho Cucamonga, CA 91729-0427
Voice: (800) 913-0054
Fax: (909) 483-1801

Drw# SPW121212 Title: WOOD/PLASTIC PASS THRU

Sheet: Project: Date: