

ELEVATION "B"

ELEVATION "A"

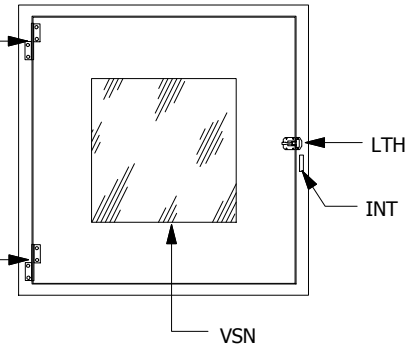
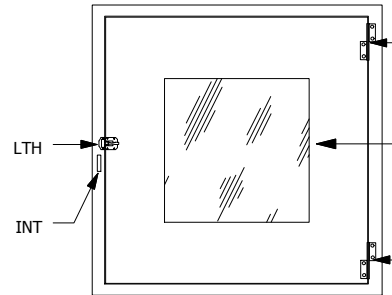
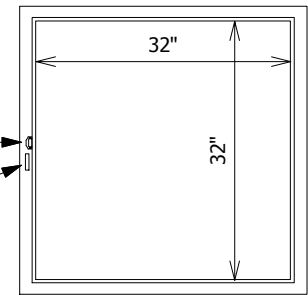
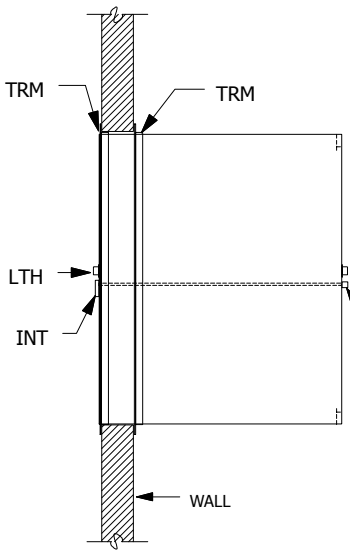
ELEVATION "A"

ELEVATION "C"

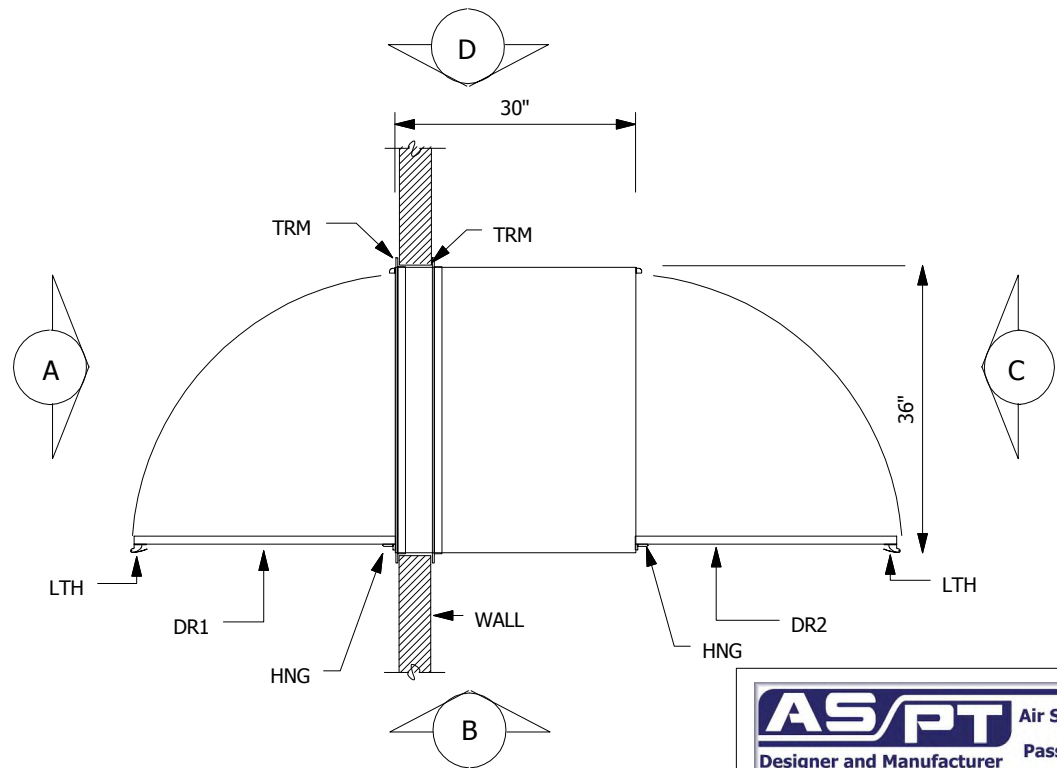
DOOR NOT SHOWN
TRIM NOT SHOWN

DOOR SHOWN
TRIM NOT SHOWN

DOOR SHOWN
TRIM NOT SHOWN



PLAN VIEW



- LEGEND
- DR1=304 STAINLESS STEEL DOOR FRAME
 - DR2=304 STAINLESS STEEL DOOR FRAME
 - GSK=PEMKO S88W GASKET SEAL
 - HNG=STAINLESS STEEL LIFT OFF HINGE
 - INT=POLISHED ALUMINUM INTERLOCK LEVER
 - LTH=STAINLESS STEEL SPRING LOADED DOOR CATCH
 - TRM=1.5" x 1.5" 304 STAINLESS STEEL ANGLE
 - VSN=18" x 18" x 0.25" CLEAR ACRYLIC VISION PANEL

- NOTES:
1. PASS THRU IS CONSTRUCTED OF A DOUBLE WALL 304 STAINLESS STEEL WITH A #4 BRUSHED FINISH
 2. TRIM ANGLE IS SHIPPED LOOSE TO ALLOW FLEXIBILITY OF INSTALLATION
 3. THE PASS THRU HAS MECHANICAL INTERLOCKS
 5. WALL CUT OUT IS 5/8" LARGER THAN THE OUTSIDE DIMENSIONS OF THE PASS THRU
 6. THE I.D. DIMENSIONS SHOWN ON THE DRAWING REFLECT THE NET DOOR OPENING.
 7. ALL SEAMS HAVE A CONTINUOUS WELD AND ARE GROUND SMOOTH TO MATCH THE #4 FINISH



PO Box 427
Rancho Cucamonga, CA 91729-0427
Voice: (800) 913-0054
Fax: (909) 483-1801

Drw# DWS363630	Title: STAINLESS STEEL PASS THRU
Sheet:	Project name: