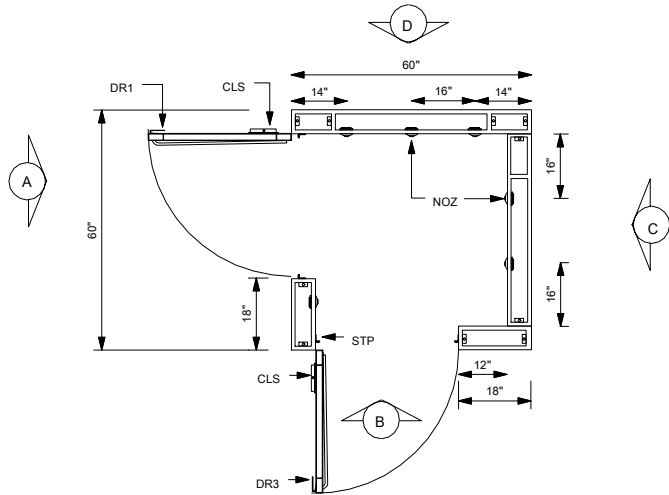
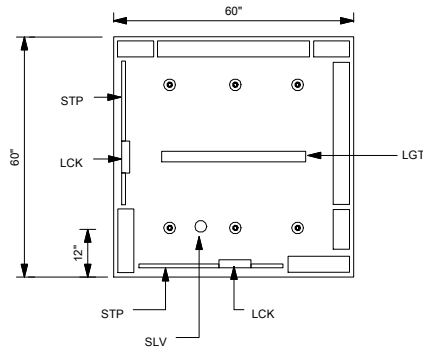


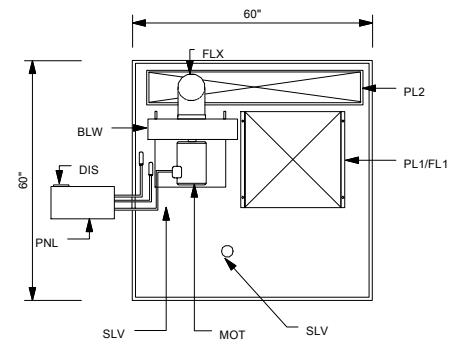
PLAN VIEW



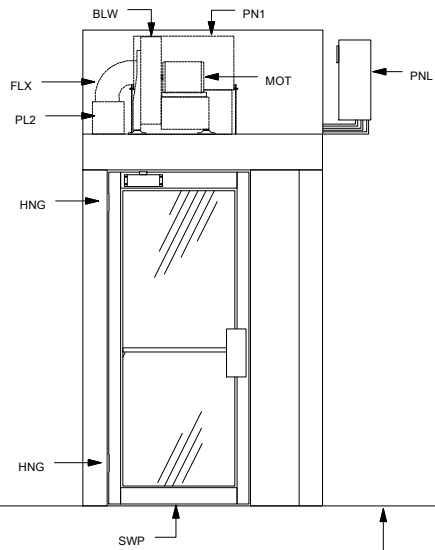
CEILING VIEW



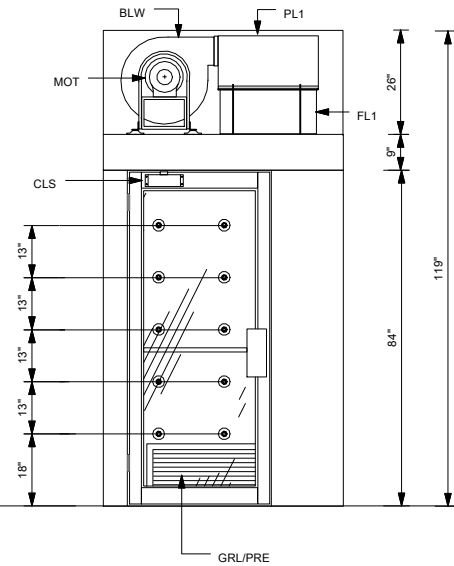
ROOF VIEW



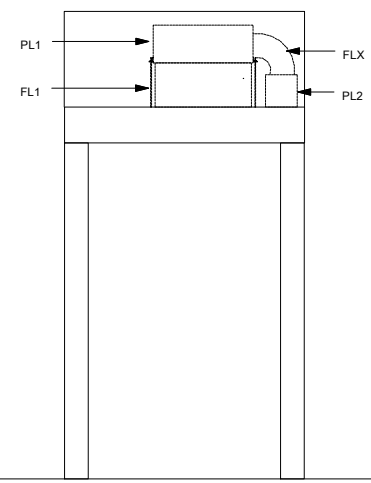
ELEVATION "A"



ELEVATION "B"



ELEVATION "C"



LEGEND

- BLW=5HP DIRECT DRIVE PADDLE WHEEL BLOWER 1550 CFM @ 6" S.P.
- CLS=COMMERCIAL DUTY DOOR CLOSER
- DIS=NON-FUSED DISCONNECT SWITCH FOR CONTROL PANEL
- EMO=EMERGENCY STOP SWITCH
- DR1=CLEAR ANODIZED ALUMINUM FRAME DOOR ( ENTRY END)
- DR2=CLEAR ANODIZED ALUMINUM FRAME DOOR ( EXIT END)
- FL1=99.99% @ .3 MICRON HEPA FILTER
- FLX=8" DIAMETER FLEX CONNECTION FOR RETURN AIR
- GLS=0.25" THICK CLEAR TEMPERED GLASS
- GRL=RETURN AIR GRILLE
- HNG=4.5" BUTT HINGE
- LGT=LED LIGHT FIXTURE
- MOT=5HP DIRECT DRIVE OPEN DRIP PROOF MOTOR 3500 RPM
- NOZ=0.875" DIAMETER WHITE PLASTIC AIR NOZZLE ( 30 IN WALLS & 8 IN CEILING)
- PL1=HEPA FILTER PLENUM 0.60" THICK ALUMINUM CONSTRUCTION
- PL2=RETURN AIR PLENUM 0.60" THICK ALUMINUM CONSTRUCTION
- PNL=NEMA 1 ENLOSURE CONTROL PANEL
- PRE=MERV 7 PANEL FILTER
- SLV=SLEEVED PENETRATION THROUGH ROOF FOR INSTALLTION OF SPRINKER
- SWP=PEMCO #285CPK DOOR SEALS
- SWP=PEMCO #307AV DOOR SWEEP

EXISTING FINISHED FLOOR

GRL/PRE

Notes:

1. The control panel is recessed in mechanical wall on entry side of air shower.
2. The air shower is shipped knock down into (2) walls, (1) roof and (2) doors.
3. The air shower is supplied with a sleeved penetration through the roof section for installation of a sprinkler head. Sprinkler is by others.
5. The air shower does not come with a floor. It uses the existing floor.



PO Box 427  
 Rancho Cucamonga, CA 91729-0427  
 Voice: (800) 913-0054  
 Fax: (909) 483-1801

|               |                              |
|---------------|------------------------------|
| Drw# SD6060RA | Title: MODEL "SD" AIR SHOWER |
| Sheet:        | Project: _____ Date: _____   |