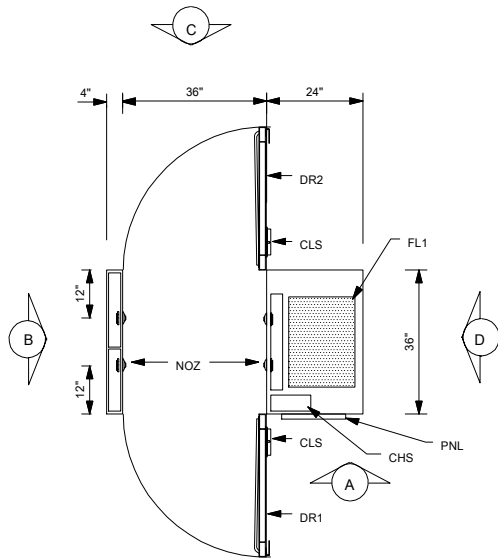
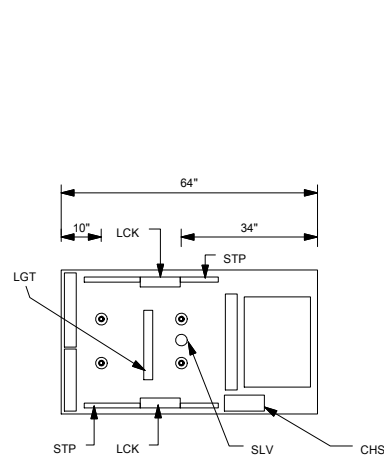


PLAN VIEW

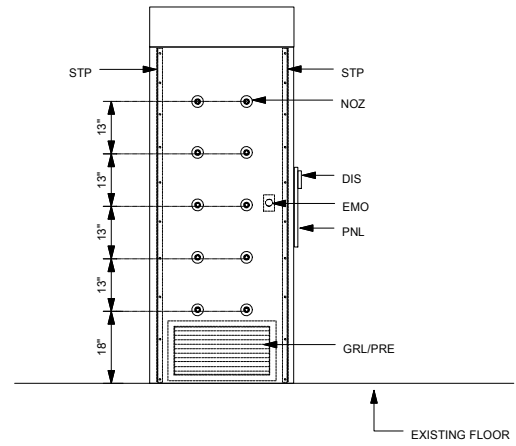


CEILING VIEW

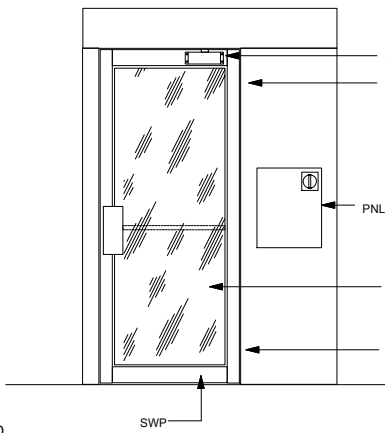


ELEVATION "B"

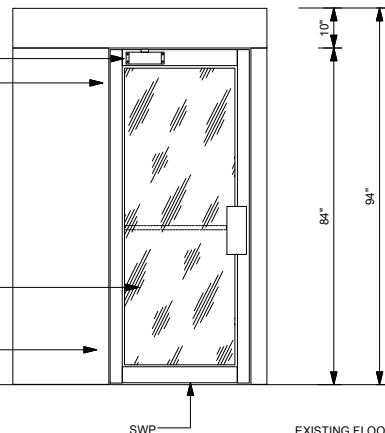
cut away view



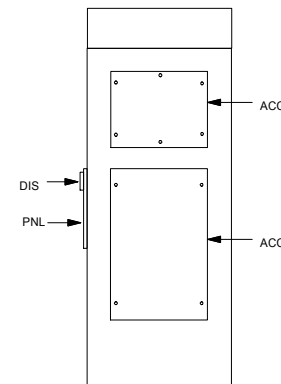
ELEVATION "A"



ELEVATION "B"

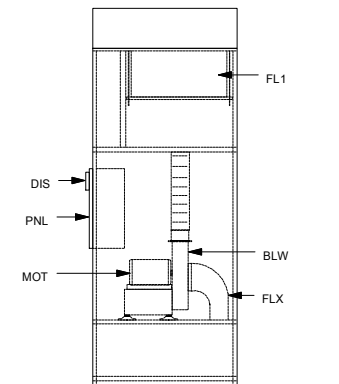


ELEVATION "C"



ELEVATION "D"

cut away view



LEGEND

- ACC=MECHANICAL ACCESS PANELS
- BLW=3HP DIRECT DRIVE PADDLE WHEEL BLOWER 950 CFM @ 4" S.P.
- CLS=COMMERCIAL DUTY DOOR CLOSER
- DIS=NON-FUSED DISCONNECT SWITCH FOR CONTROL PANEL
- EMO=EMERGENCY STOP SWITCH
- DR1=CLEAR ANODIZED ALUMINUM FRAME DOOR (ENTRY END)
- DR2=CLEAR ANODIZED ALUMINUM FRAME DOOR (EXIT END)
- FL1=99.99% @ .3 MICRON HEPA FILTER
- FLX=7" DIAMETER FLEX CONNECTION FOR RETURN AIR
- GLS=0.25" THICK CLEAR TEMPERED GLASS
- GRL=RETURN AIR GRILLE
- HNG=4.5" NICKLE PLATED BUTT HINGE
- LCK=24VDC MAGNETIC DOOR LOCK
- LGT=LED LIGHT FIXTURE
- MOT=3HP DIRECT DRIVE OPEN DRIP PROOF MOTOR 3500 RPM
- NOZ=0.875" DIAMETER WHITE PLASTIC AIR NOZZLE (20 IN WALLS & 4 IN CEILING)
- PNL=NEMA 1 ENCLOSURE CONTROL PANEL
- PRE=MERV 7 PANEL FILTER
- SLV=SLEEVED PENETRATION THROUGH ROOF FOR INSTALLTION OF SPRINKER
- STP=PEMKO #285CPK DOOR SEALS
- SWP=PEMKO #307AV DOOR SWEEP

Notes:

1. The control panel is recessed in mechanical wall on entry side of air shower.
2. The air shower is shipped knock down into (2) walls, (1) roof and (2) doors.
3. The air shower is supplied with a sleeved penetration through the roof section for installation of a sprinkler head. Sprinkler is by others.
4. The air shower does not have a floor. It uses the existing flooring.



PO Box 427
 Rancho Cucamonga, CA 91729-0427
 Voice: (800) 913-0054
 Fax: (909) 483-1801

Drw# LP6436ST

Title: MODEL "LP" AIR SHOWER

Sheet:

Project:

Date: