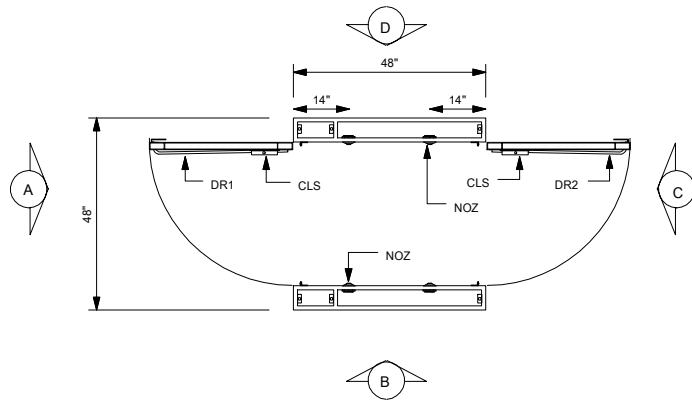
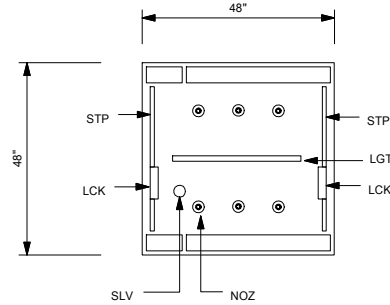


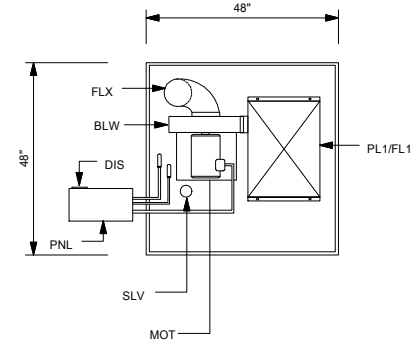
PLAN VIEW



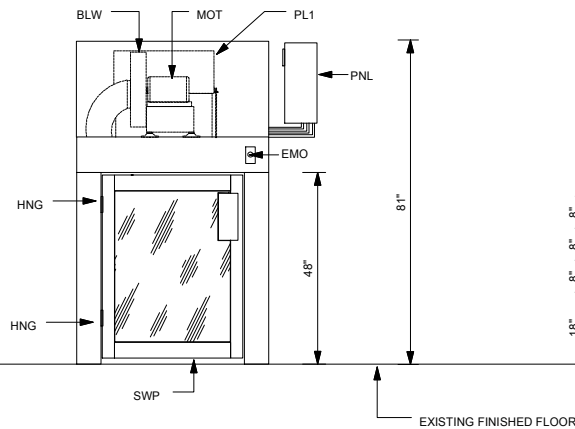
CEILING VIEW



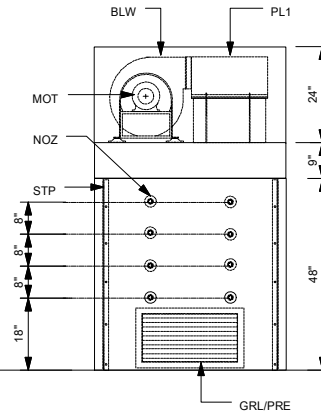
ROOF VIEW



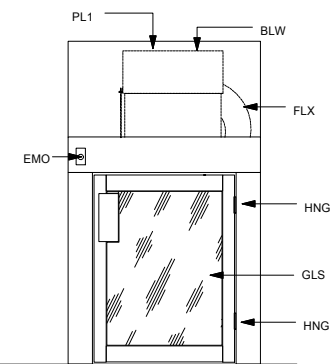
ELEVATION "A"



ELEVATION "B"



ELEVATION "C"



LEGEND

- BLW=3HP DIRECT DRIVE PADDLE WHEEL BLOWER 950CFM @ 4" S.P.
- CLS=COMMERCIAL DUTY DOOR CLOSER
- DIS=NON-FUSED DISCONNECT SWITCH FOR CONTROL PANEL
- EMO=EMERGENCY STOP SWITCH
- DR1=CLEAR ANODIZED ALUMINUM FRAME DOOR ( ENTRY END)
- DR2=CLEAR ANODIZED ALUMINUM FRAME DOOR ( EXIT END)
- FL1=99.99% @ .3 MICRON HEPA FILTER
- FLX=7" DIAMETER FLEX CONNECTION FOR RETURN AIR
- GLS=0.25" THICK CLEAR TEMPERED GLASS
- GRL=RETURN AIR GRILLE
- HNG=4.5" NICKLE PLATED BUTT HINGE
- LGT=LED LIGHT FIXTURE
- MOT=3HP DIRECT DRIVE OPEN DRIP PROOF MOTOR 3500 RPM
- NOZ=0.875" DIAMETER WHITE PLASTIC AIR NOZZLE ( 16 IN WALLS & 6 IN CEILING)
- PL1=HEPA FILTER PLENUM 0.60" THICK ALUMINUM CONSTRUCTION
- PNL=NEMA 1 ENCLOSURE CONTROL PANEL
- PRE=MERV 7 PANEL FILTER
- SLV=SLEEVED PENETRATION THROUGH ROOF FOR INSTALLTION OF SPRINKER
- STP=PEMCO #285CPK DOOR SEALS
- SWP=PEMCO #307AV DOOR SWEEP

Notes:

1. The control panel is connected to the air shower with 8' of seal tight flex.
2. The air shower is shipped knock down into (2) walls, (1) roof and (2) doors.
3. The air shower is supplied with a sleeved penetration through the roofsection for installation of a sprinkler head. Sprinkler is by others.
4. The door closer is mounted to the inside top of the door.
5. The air shower does not have a floor. It uses existing flooring.



PO Box 427  
 Rancho Cucamonga, CA 91729-0427  
 Voice: (800) 913-0054  
 Fax: (909) 483-1801

Drw# CT4848ST	Title: MODEL "CT" AIR SHOWER	
Sheet:	Project:	Date: